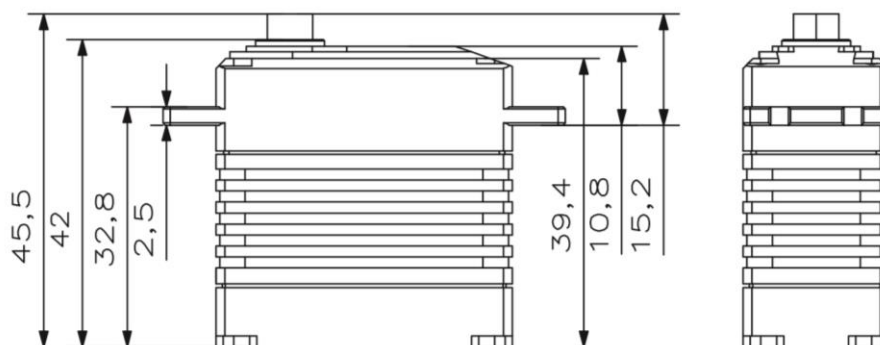
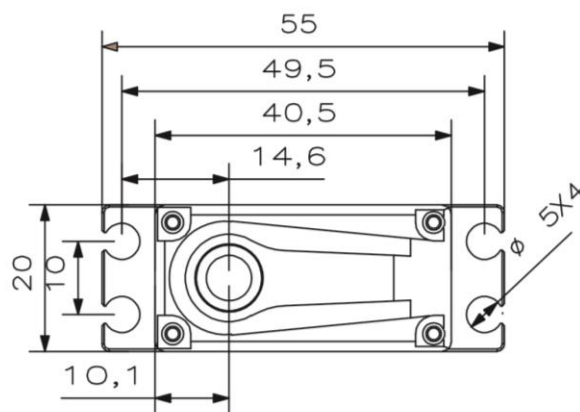


X20-3612

Technical Specification



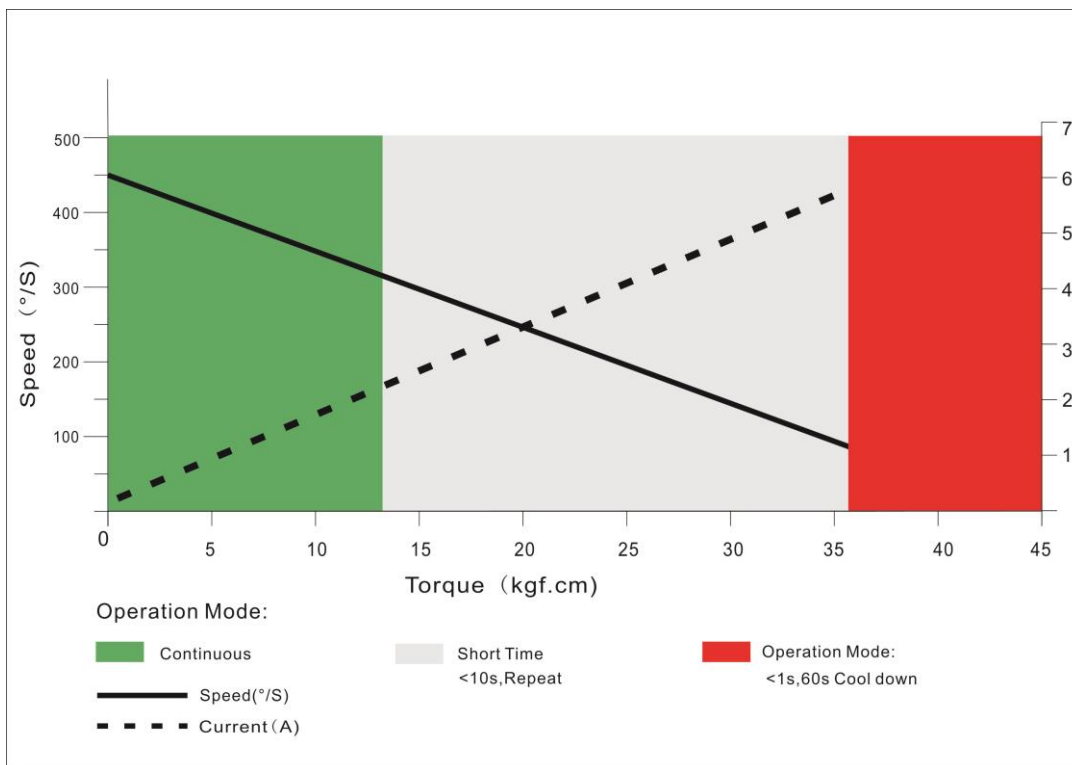
Operating Data

X20-3612	
Operation Voltage(rated)	DC7.4V
Operation Voltage Range	DC6.0V-8.4V
Torque	28Kg.cm@6.0V
	36Kg.cm@7.4V
	40Kg.cm@8.4V
Speed	0.15sec/60 °@6.0V
	0.12sec /60 °@7.4V
	0.11sec /60 °@8.4V
Travel Angle	± 50° when 1000-2000us
Operating Temperature Range	-20°C ·····+65°C

Performance

X20-3612

@7.4V



PWM Command Signal

PWM	X20-3612
Signal Voltage	TTL-Level: HIGH:min.3.3V,max.5.0V TTL-Level: Low:min.0.0V,max.1.5V
Pulse Lengths	900-2100us
Pulse Lengths for Position -50° /center/ $+50^{\circ}$	1000us/1500us/2000us
Resolution	$\leq 2\mu s$

Materials and protective features

Case Material	Aluminum Alloy
Motor Type	Brushless
Gear Set Material	Hardened Steel
Position Sensor	Potentiometer
Position Feedback	Optional(PWM signal 305Hz,5mA)
Connecting Cable	22AWG

Dimensions

Case Dimensions	40.5*20*42mm
Weight	80g