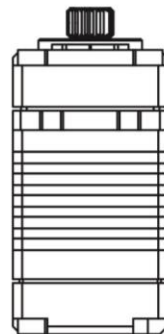
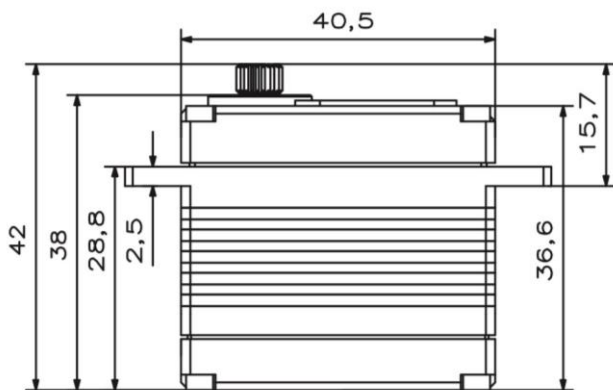
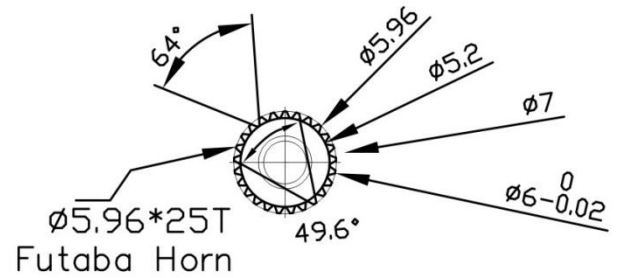
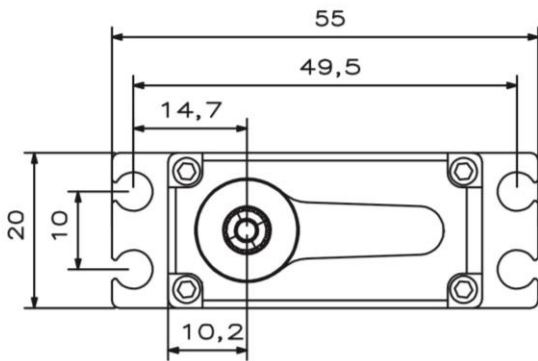


X20-1035 v2.0

Technical Specification



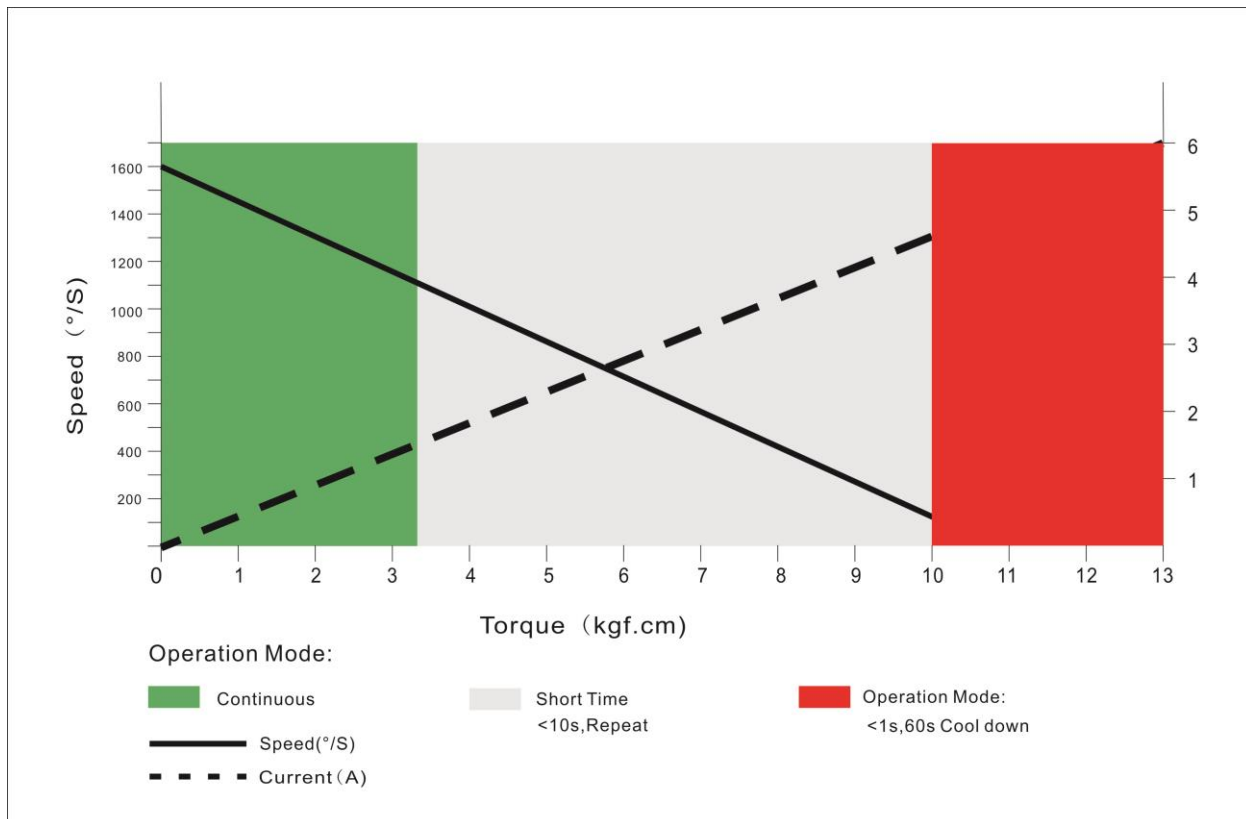
Operating Data

X20-1035 v2.0	
Operation Voltage(rated)	DC7.4V
Operation Voltage Range	DC6.0V-8.4V
Torque	8.5Kg.cm@6.0V
	10.3Kg.cm@7.4V
	12Kg.cm@8.4V
Speed	0.04sec/60 °@6.0V
	0.035sec/60 °@7.4V
	0.03sec/60 °@8.4V
Operating Temperature Range	-20°C+65°C

Performance

X20-1035 v2.0

@7.4V



PWM Command Signal

PWM	X20-1035 v2.0
Pulse Lengths	450-1050us
Working Frequency	Narrow Band 760us/560Hz
Resolution	<2us

Materials and protective features

Case Material	Aluminum Alloy
Motor Type	Brushless
Gear Set Material	Titanium Alloy
Position Sensor	Potentiometer
Connecting Cable	22AWG

Dimensions

Case Dimensions	40.5*20*38mm
Weight	72g