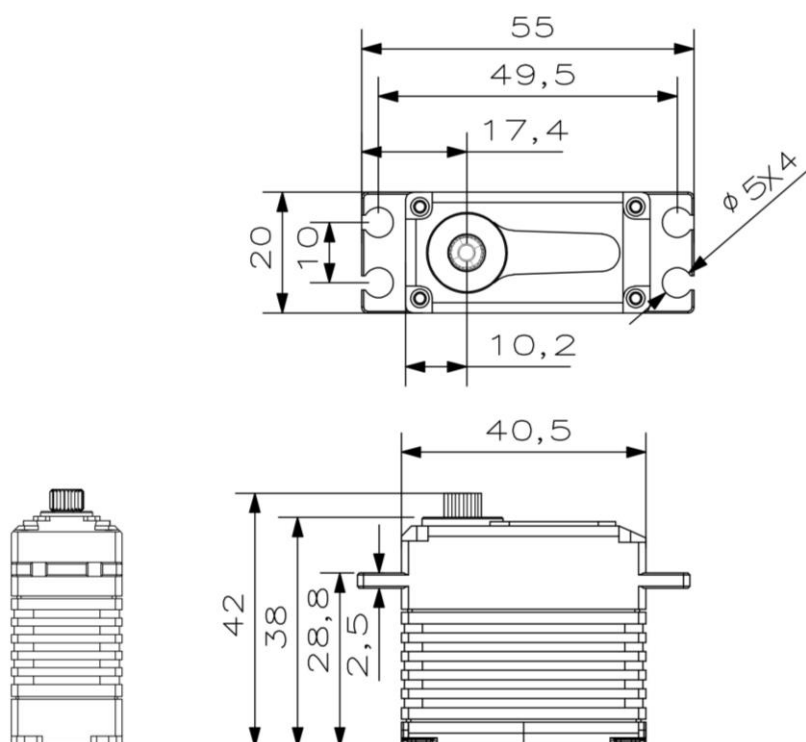
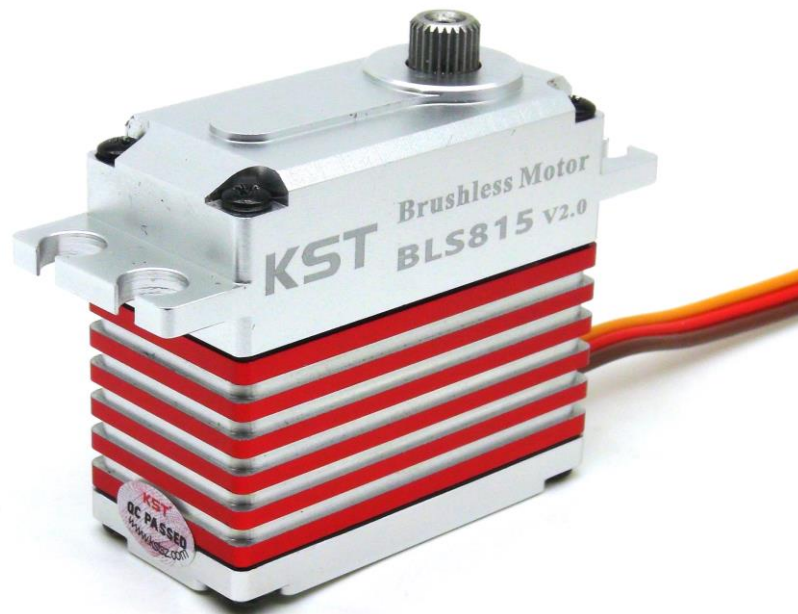


# BLS815 v2.0

## Technical Specification



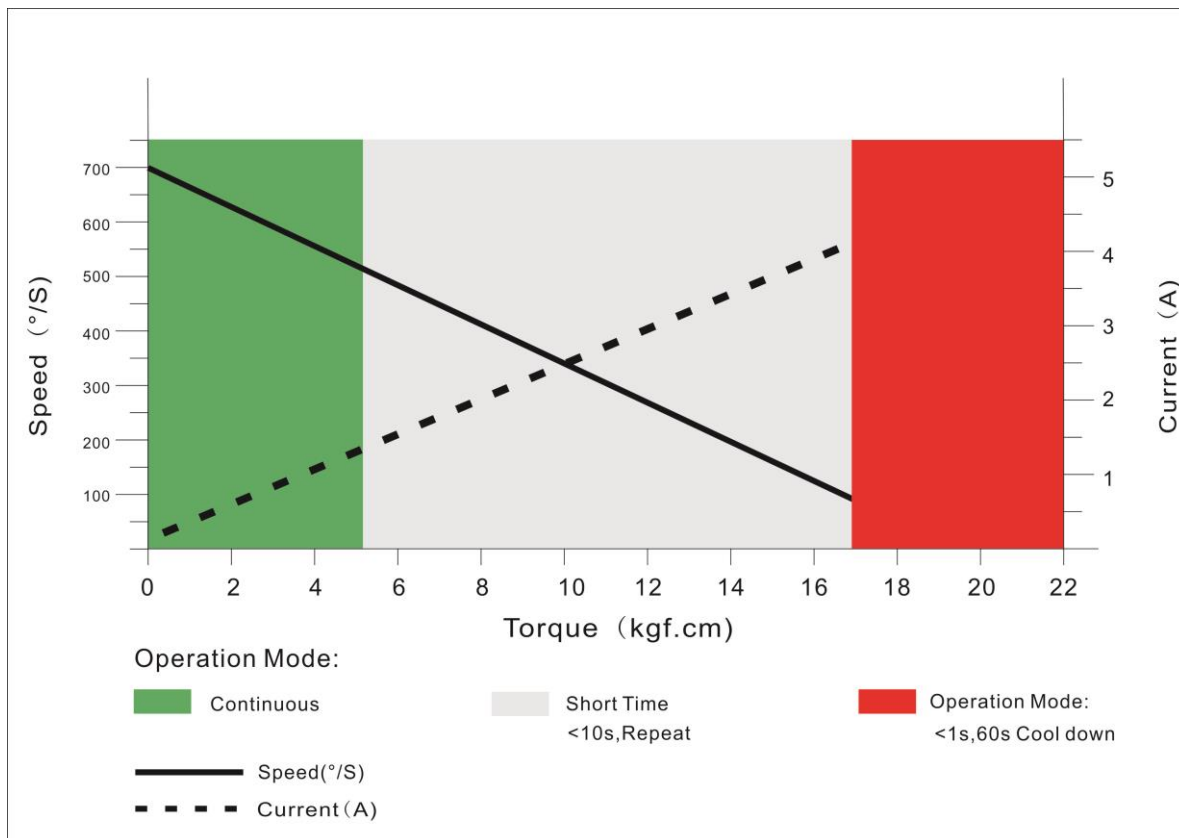
## Operating Data

BLS815 v2.0	
Operation Voltage(rated)	DC7.4V
Operation Voltage Range	DC6V-8.4V
Torque	14kg.cm@6.0V
	17Kg.cm@7.4V
	20Kg.cm@8.4V
Speed	0.09sec/60 °@6.0V
	0.08sec/60 °@7.4V
	0.07sec/60 °@8.4V
Travel Angle	± 50° when 1000-2000us
Operating Temperature Range	-20℃ ……+65℃

## Performance

**BLS815 V2.0**

**@7.4V**



## PWM Command Signal

PWM	BLS815 V2.0
Signal Voltage	TTL-Level: HIGH:min.3.3V,max.5.0V TTL-Level: Low:min.0.0V,max.0.5V
Pulse Lengths	900-2100us
Pulse Lengths for Position $-50^{\circ}$ /center/ $+50^{\circ}$	1000us/1500us/2000us
Resolution	$\leq 2\mu\text{s}$

### Materials and protective features

Case Material	Aluminum Alloy
Motor Type	Brushless
Gear Set Material	Hardened steel
Position Sensor	Potentiometer
Position Feedback	Optional
Connecting Cable	22AWG

### Dimensions

Case Dimensions	40.5*20*38mm
Weight	73g